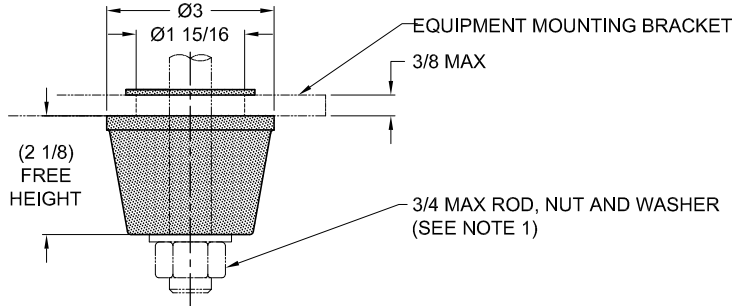
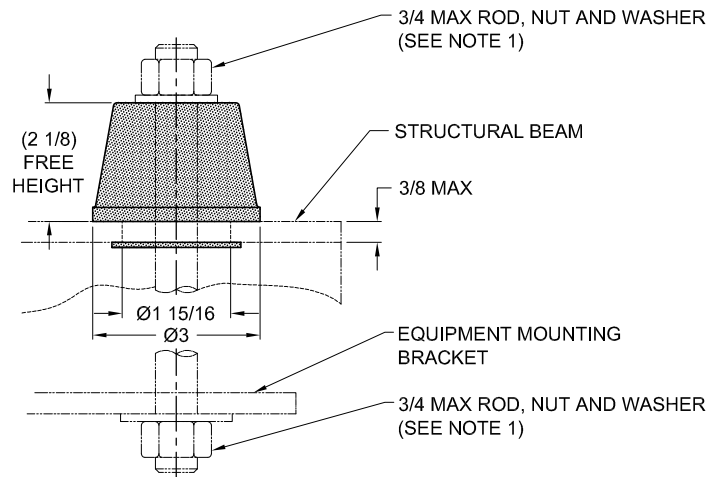


| REV. | DESCRIPTION | DATE | BY |
|------|-------------|------|----|
| | | | |

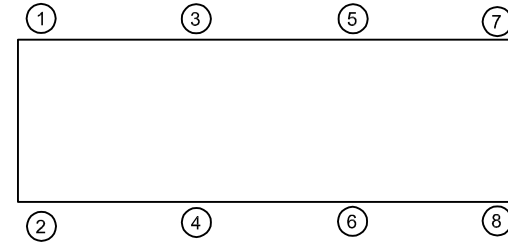
INSTALLATION OF ELEMENT BELOW STRUCTURE



INSTALLATION OF ELEMENT ABOVE STRUCTURE



| TYPE HRO-C ELASTOMERIC HANGERS FOR 1/2" NOMINAL DEFLECTION | | | |
|---|---------------------|--------------------|-------------------------|
| HANGER | RATED LOAD (LBS) | DEFLECTION (IN) | ELEMENT LOAD & COLOR |
| HRO-C-380 | 380 | 0.50 | RE-C-380 BLACK |
| HRO-C-520 | 520 | 0.50 | RE-C-520 RED |
| HRO-C-840 | 840 | 0.50 | RE-C-840 GREEN |
| HRO-C-1070 | 1070 | 0.50 | RE-C-1070 GRAY |
| HRO-C-2000 | 2000 | 0.50 | RE-C-2000 BLUE |



NOTES:

- HANGER RODS, NUTS AND WASHERS, AS SHOWN, NOT BY THE VMC GROUP.
- ALL DIMENSIONS IN INCHES. INTERPRET PER ANSI Y14.
- ALL DIMENSIONS ARE FOR REFERENCE, DIMENSIONS SHOWN AS NOMINAL. RATED DEFLECTIONS ARE WITHIN 25% OF NOMINAL. HIGHER DEFLECTIONS ARE ALLOWED IF THEY MEET SPECIFICATIONS.

ISOLATOR SELECTIONS

| | |
|----------------------|--------|
| LOC 1: | LOC 2: |
| LOC 3: | LOC 4: |
| LOC 5: | LOC 6: |
| LOC 7: | LOC 8: |
| CUSTOMER EQP'T. TAG: | |

NOTE: MATERIAL SHOWN IS FOR (1) SET.

OTHER MATERIALS, COMPOUNDS, OR FINISHES WITH EQUAL OR SUPERIOR PROPERTIES MAY BE SUBSTITUTED AS THEY BECOME AVAILABLE.

CERTIFIED FOR:

JOB NAME: _____
 CUSTOMER: _____
 CUSTOMER P.O.: _____
 SALES ORDER: _____

**MODEL HRO-C 380-2000 LBS.
 ELASTOMERIC HANGERS 0.5 DEFLECTION**



THE VMC GROUP
The Power of Together
 Bloomingdale, NJ 07403
 Houston, TX 77041

SCALE:
NONE

SHEET:



DRAWING NO.:

REVISION